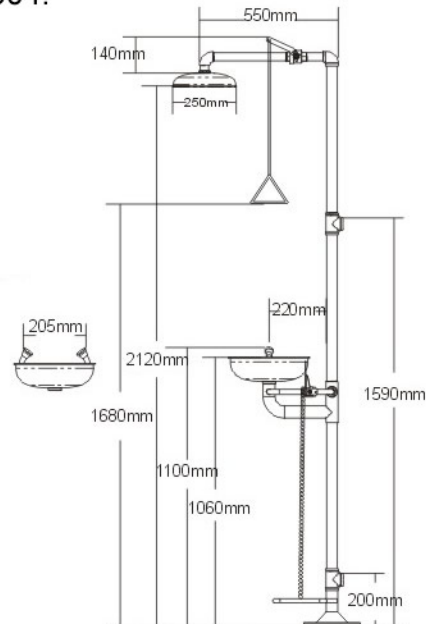


SS-S150



Specification:

1. Pipe material: Stainless Steel 304
2. Shower Head / Eyewash Bowl: Stainless steel 304.
3. Valve: Shower valve is making of 1" stainless steel 304 ball valve.
Eye washer valve is making of 1/2" stainless steel 304 ball valve.
4. Water Inlet & Outlet: 1-1/4" IPS/NPT.
5. Water working pressure: 0.2MPA-0.8MPA.
6. Flow control: Shower head 76L/Min.
Eyewash 12L/Min.
7. Original water: Clean water or leached water.
8. Activation: Shower is activated by pull rod.
Eye washer is activated by flag handle or foot treadle.
9. Package: Carton size: 90X45X28CM
1 set per export carton
G.W.: 18KG N.W.: 17KG



Meets
ANSI Z358.1
EN15154-1&2